

4

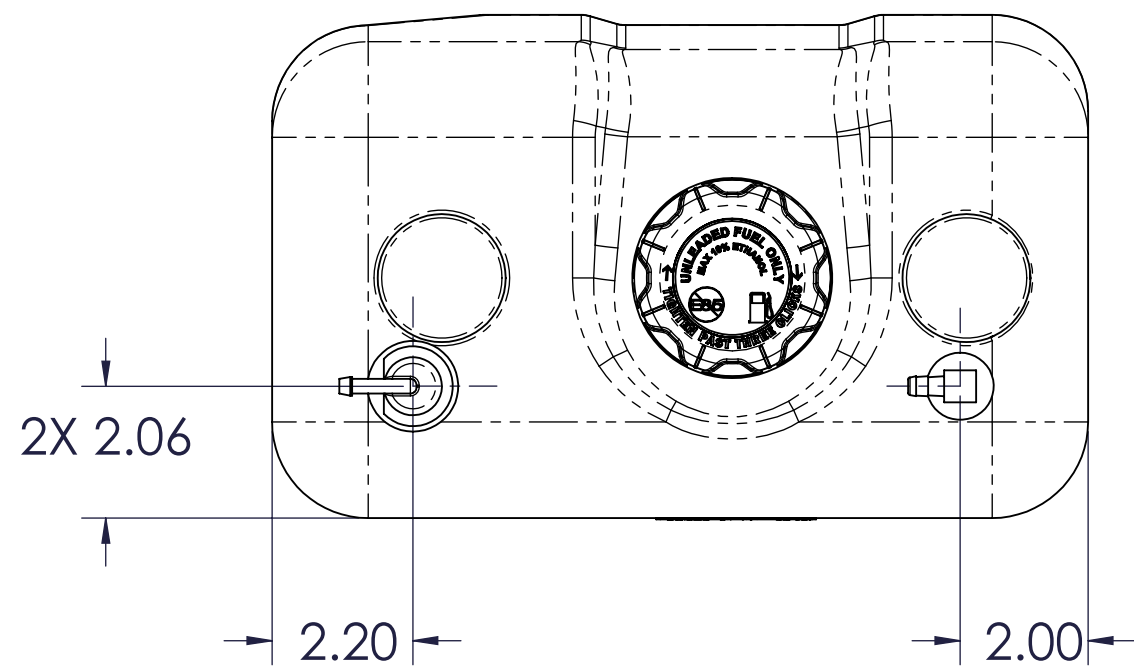
3

2

1

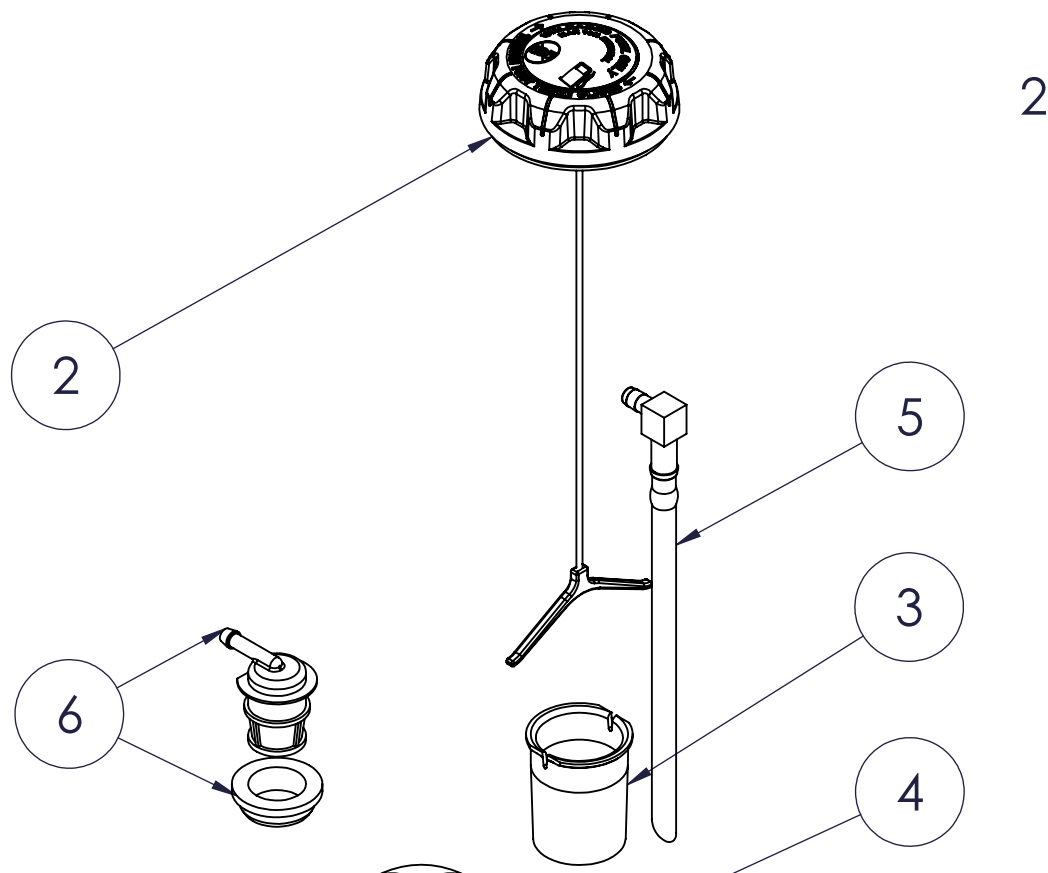
REVISIONS					
REV	ECR	DESCRIPTION	DATE	BY	APR
A	NPN	Production Release	3-15-13	ANA	PSB
B	NPN	462156A was 468886A	8-11-14	ANA	SAB
C	---	Reformat drawing; FPN071113CE was BE; Item 7 Label 477026D was X; Addtl Pack Canister 462156B was A, Hose 462453A was 468851A	---	CRW	---
D	---	Move Addtl Pack to WIP- Add Item 10 Kit 9627334A	11-09-20	CRW	DB

D



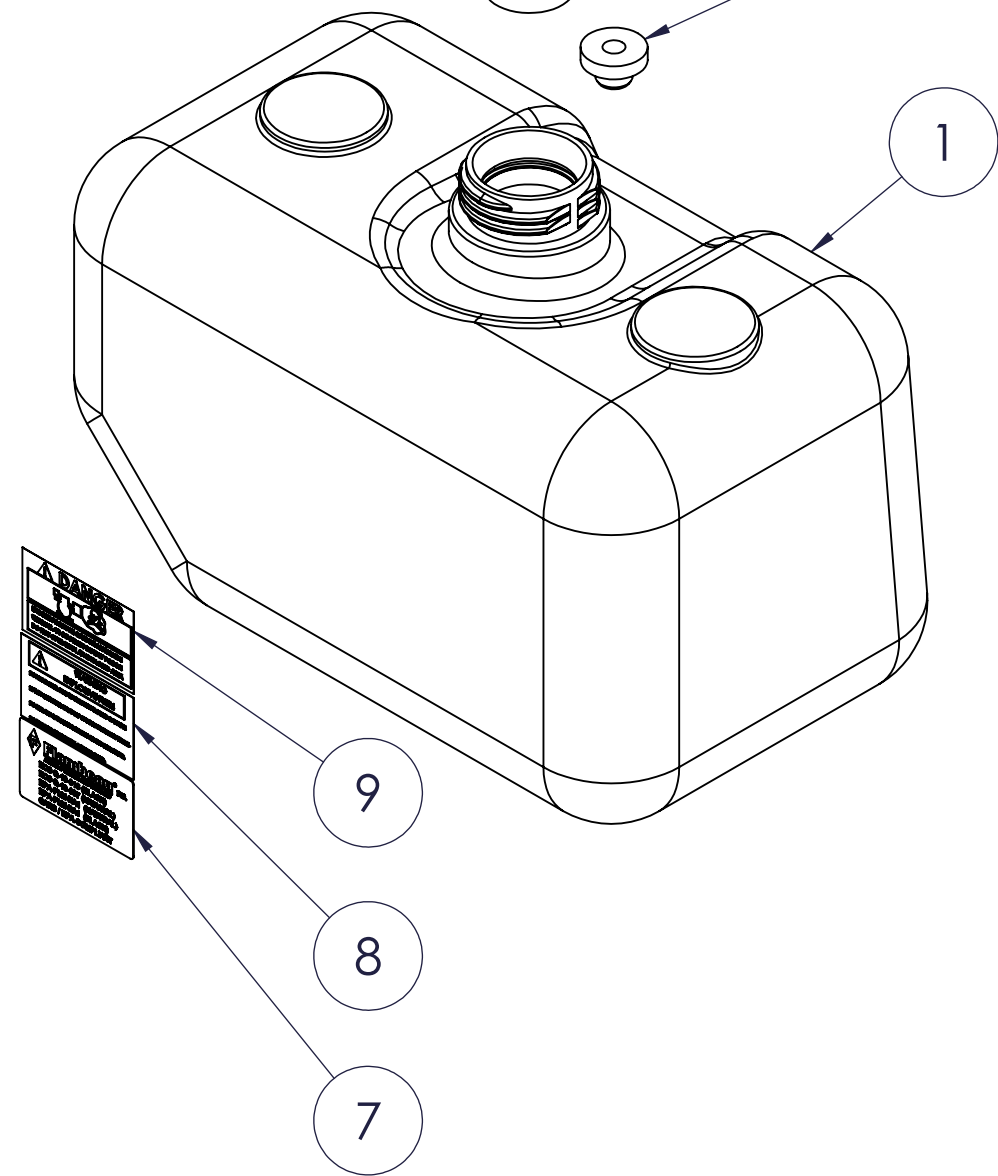
D

C



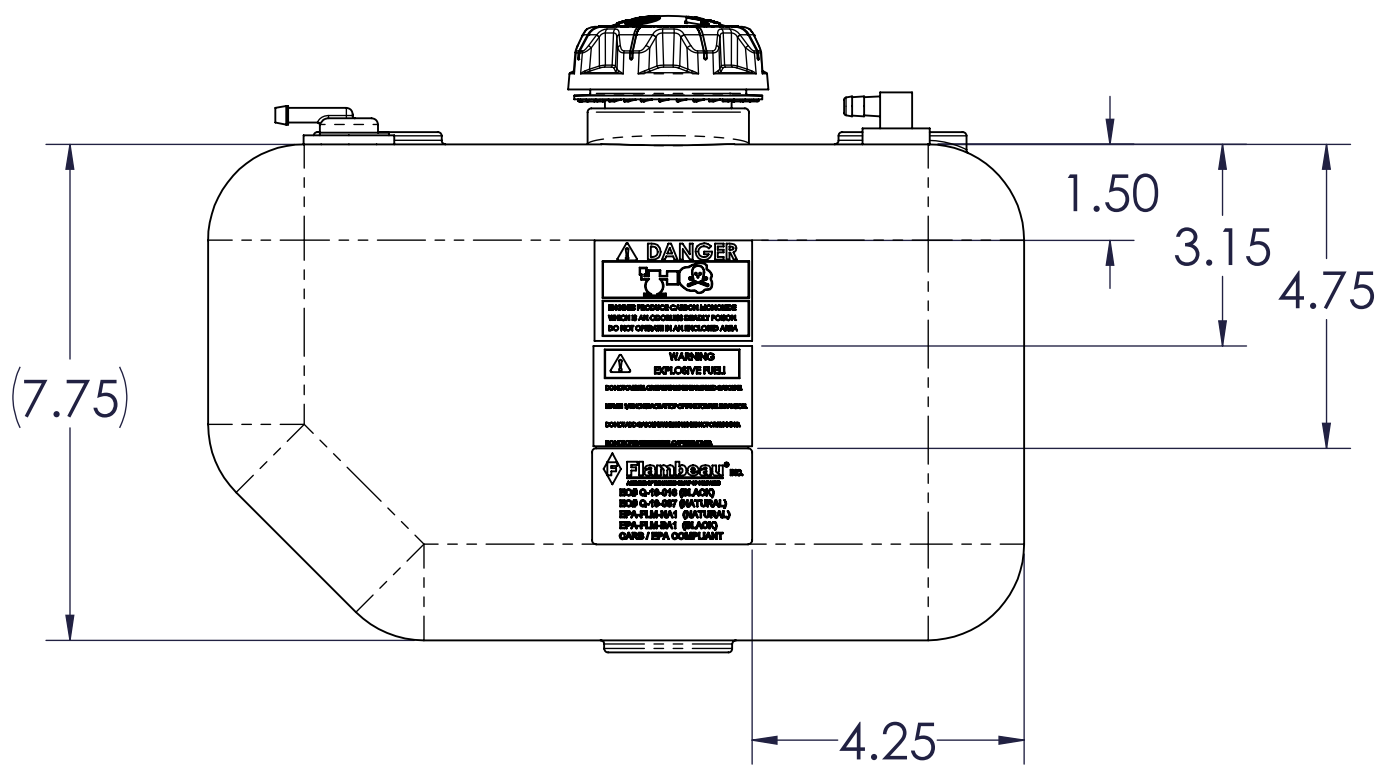
C

B

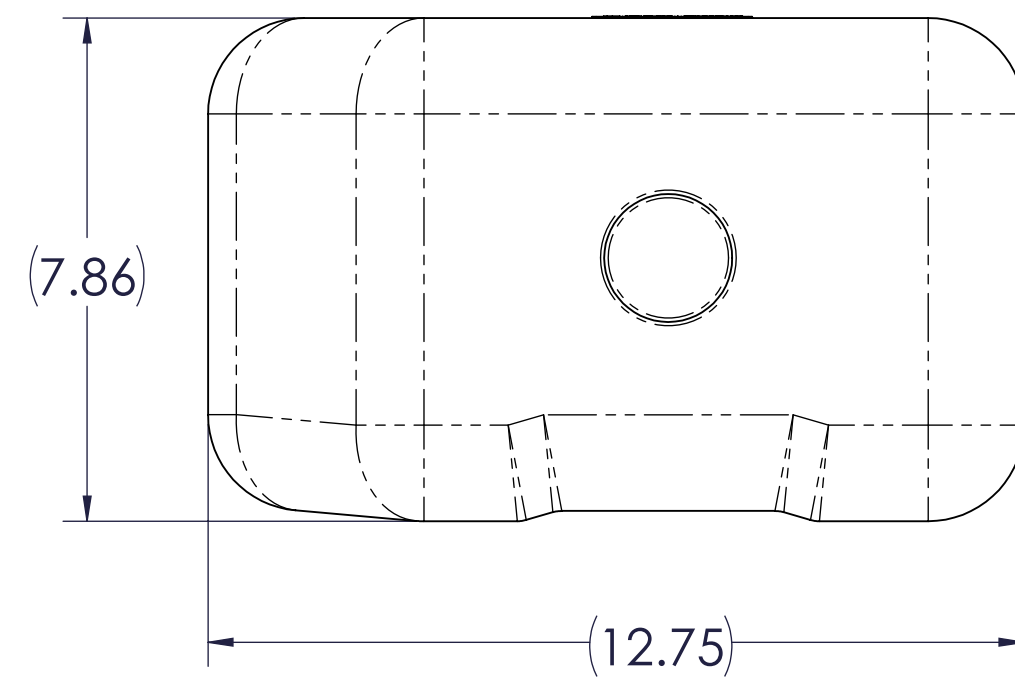
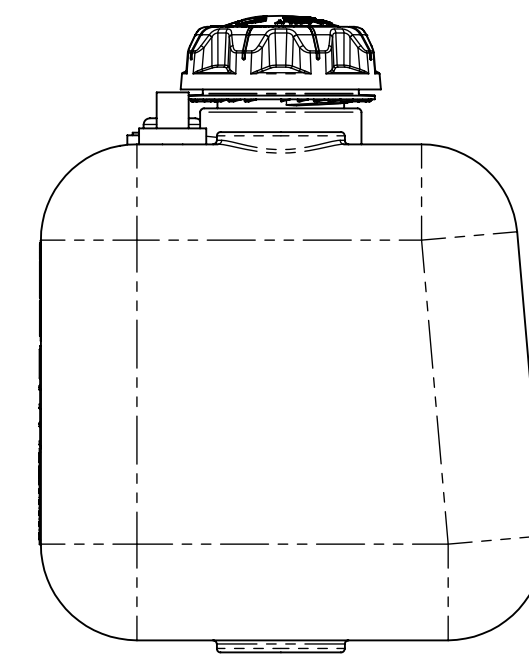


B

A



A



**Notes**  
1. Item 10 Kit to be packed in carton.

10	962734A	962734	HONDA 2.5 GL CARB TNK KIT - WIP	1
9	468573	468573	CO - Danger	1
8	468572	468572	FUEL WARNING LABEL	1
7	477026D	477026	CARB/EPA Fuel Tank Label	1
6	462118B	462118	1 - 4 Barb ROV (Blk) Valve w/ Grommet Kit	1
5	462168A	462168	PICK-UP TUBE, 1/4" ID HOSE, 90DEG	1
4	468661	468661	Grommet	1
3	912717A	S-10363	Fluids, 2.00" Lg Neck Tube	1
2	080173AE	S-10375	2.25" UNVENTED EPA CAP, TETHER, UFO-MAX 10% ETH MOLDED	1
1	070655B-FL	4443-2	FLUIDS 2.5 GAL FLOURINATED (HVY WL)	1
ITEM NO.	FPN	Drawing #	Description	QTY

CUSTOMER SIGN-OFF

Company \_\_\_\_\_

Signature \_\_\_\_\_

Printed Name \_\_\_\_\_

Date \_\_\_\_\_

**FLAMBEAU, INC.**  
911 LYNN AVENUE BARABOO, WI 53913 PH.(608)356-5551

Drawn By: ANA  
Drawn Date: 3-12-13  
Base Tank Mold No: 4443  
FPN: 071113CE

**2.5 Gallon CARB Fuel Tank Assembly Kit**

Customer: **Honda Corporation**  
Dwg No: **071113**

**1 OF 1**  
Scale: 1:3  
Rev D

PROPRIETARY AND CONFIDENTIAL  
THE INFORMATION CONTAINED IN THIS DRAWING IS THE SOLE PROPERTY OF FLAMBEAU, INC. ANY REPRODUCTION IN PART OR AS A WHOLE WITHOUT THE WRITTEN PERMISSION OF FLAMBEAU, INC. IS PROHIBITED.

DIMENSIONS ARE IN INCHES.  
TOLERANCES  
ANGULAR ±3°  
X.XX ±.13"  
X.XXX ±.060"  
DIMENSIONS IN PARENTHESIS ( ) ARE FOR REFERENCE ONLY.

4

3

2

1