

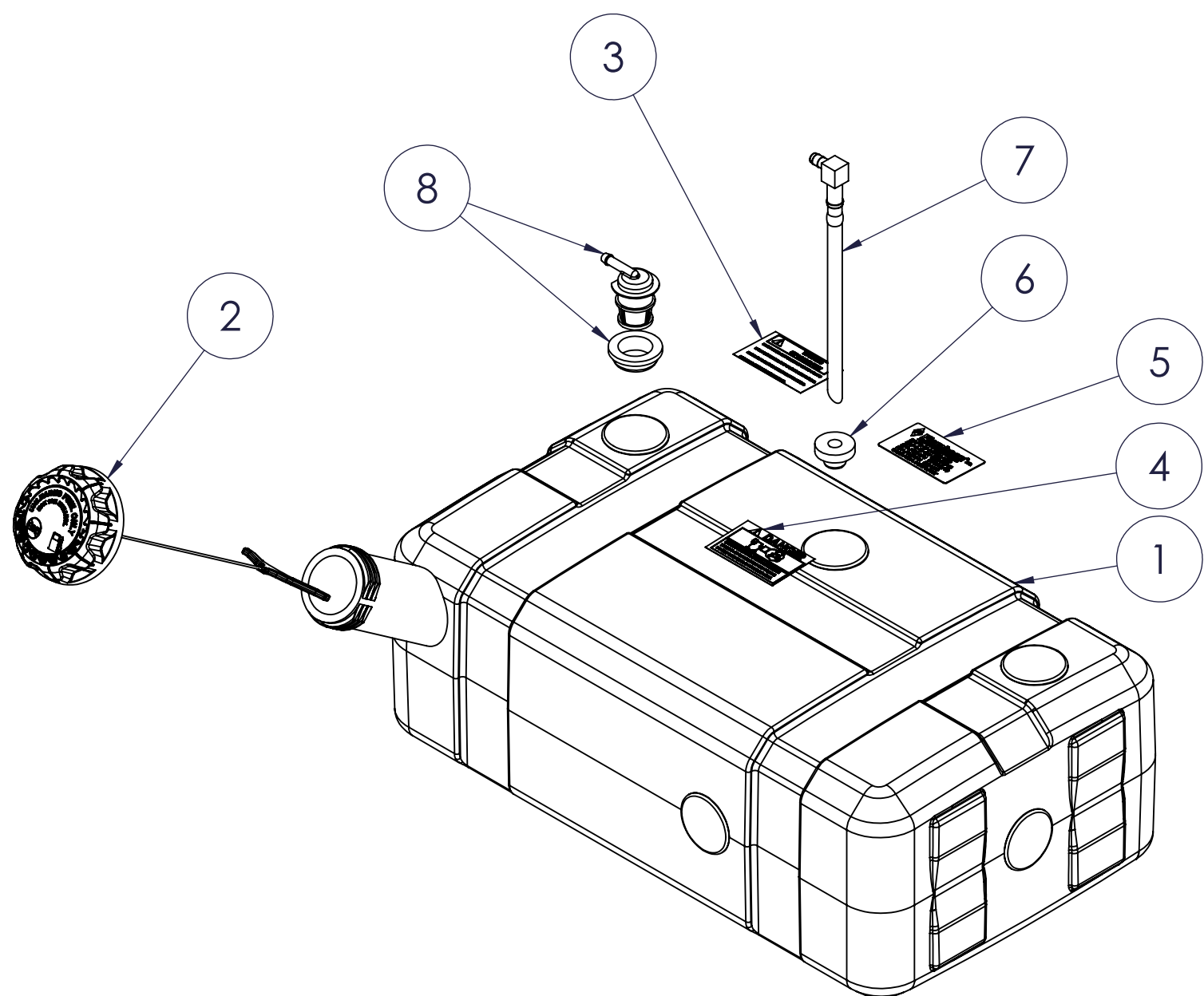
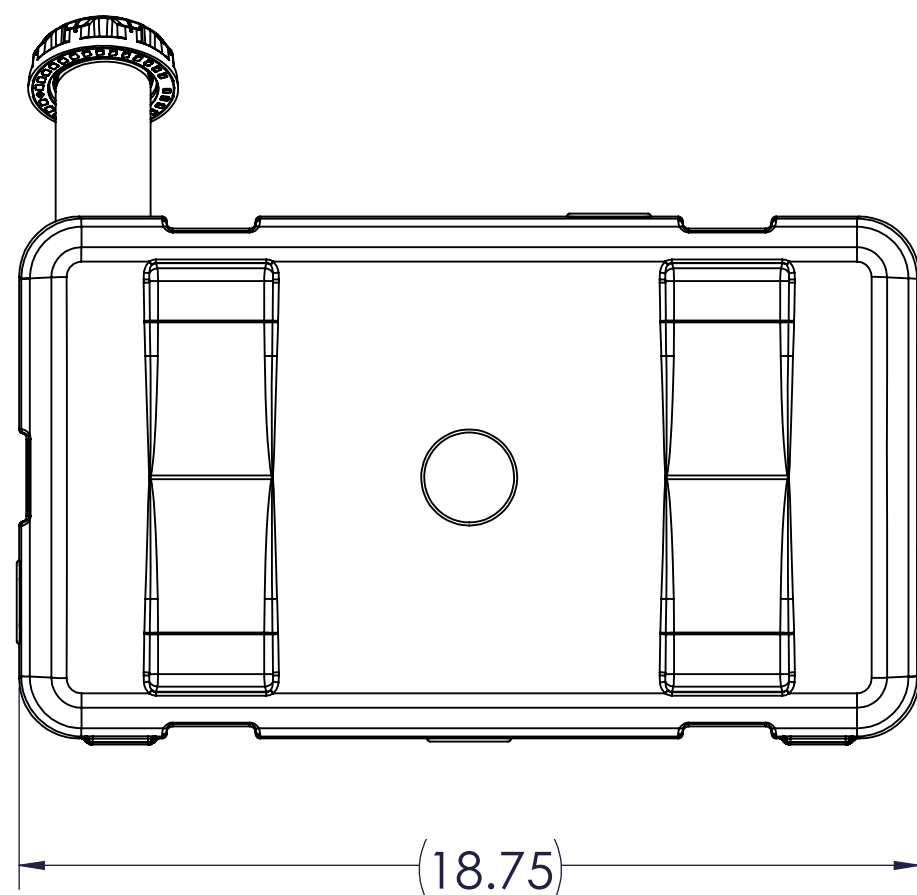
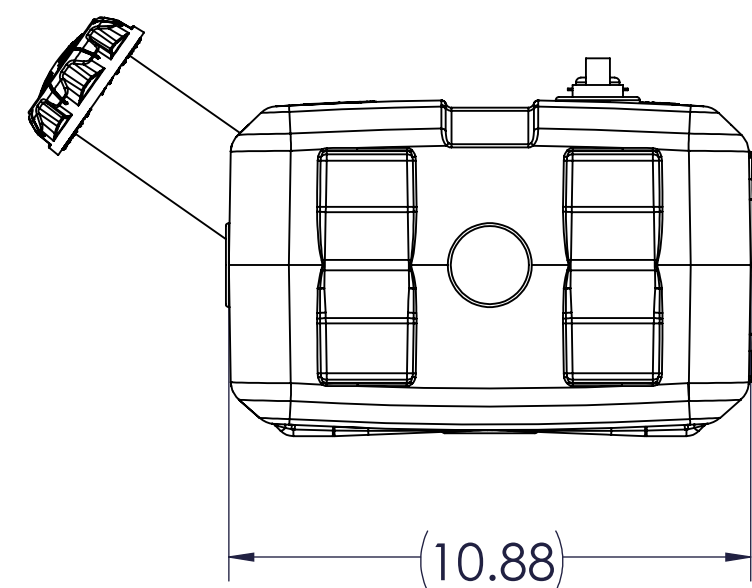
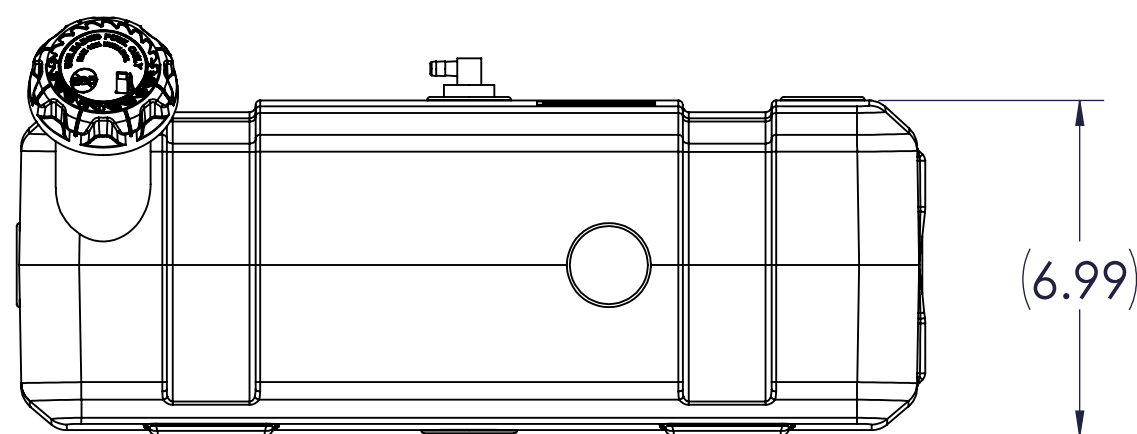
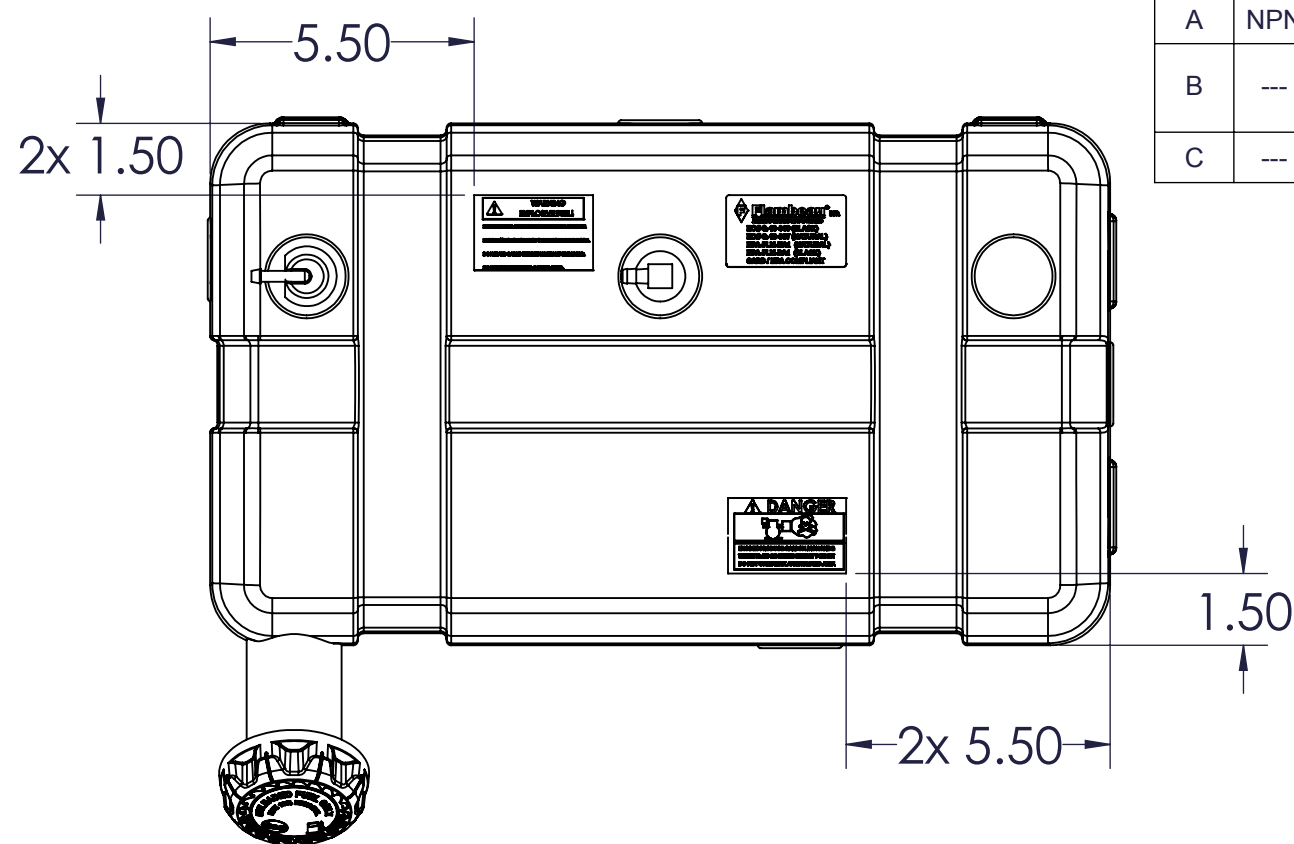
4

3

2

1

REV		ECR		REVISIONS			
				DESCRIPTION	DATE	BY	APR
A		NPN		Released to Production	4-17-13	ANA	PSB
B				Reformat drawing; FPN 071114BE was AE; Item 5 Label 477026D was X; Addtl Pack Canister 468888B was A, Hose 462453A was 468851A	02-24-20	CRW	PAM
C				Move Addtl Pack to WIP- Add Item 9 Kit 962712A	10-20-20	CRW	DB



9	962712A	962712	HONDA 5 GL CARB TNK KIT - WIP	1
8	462118B	462118	1 - 4 Barb ROV (Blk) Valve w/ Grommet Kit	1
7	468871A	468871	PICKUP TUBE 5-8 GALLON LOW PROFILE	1
6	468661	468661	Grommet	1
5	477026D	477026	CARB/EPA Fuel Tank Label	1
4	468573	468573	CO - Danger	1
3	468572	468572	FUEL WARNING LABEL	1
2	080165AE	080165	Cap 2.25 EPA Unvented UFO-Max10Eth	1
1	070623A-FL	070623A-FL	FLUIDS 5 GAL LOWPRO TANK, BLK, END	1
ITEM NO.	FPN	Drawing #	Description	QTY

Notes

1. Item 9 Kit to be packed in carton.

CUSTOMER SIGN-OFF	
Company	
Signature	
Printed Name	
Date	

**FLAMBEAU, INC.**  
 911 LYNN AVENUE BARABOO, WI 53913 PH.(608)356-5551

Drawn By: ANA  
 Drawn Date: 4-16-13  
 Base Tank Mold No: 5337  
 FPN: 071114BE

Scale: 1:4  
 Description: **5 Gallon LP CARB Fuel Tank Assembly Kit**

Customer: **Honda Corporation**  
 Dwg No: **071114**

PROPRIETARY AND CONFIDENTIAL  
 THE INFORMATION CONTAINED IN THIS DRAWING IS THE SOLE PROPERTY OF FLAMBEAU, INC. ANY REPRODUCTION IN PART OR AS A WHOLE WITHOUT THE WRITTEN PERMISSION OF FLAMBEAU, INC. IS PROHIBITED.

DIMENSIONS ARE IN INCHES.  
 TOLERANCES  
 ANGULAR ±3°  
 X.XX ±.13"  
 X.XXX ±.060"  
 DIMENSIONS IN PARENTHESIS ( ) ARE FOR REFERENCE ONLY.

4

3

2

1