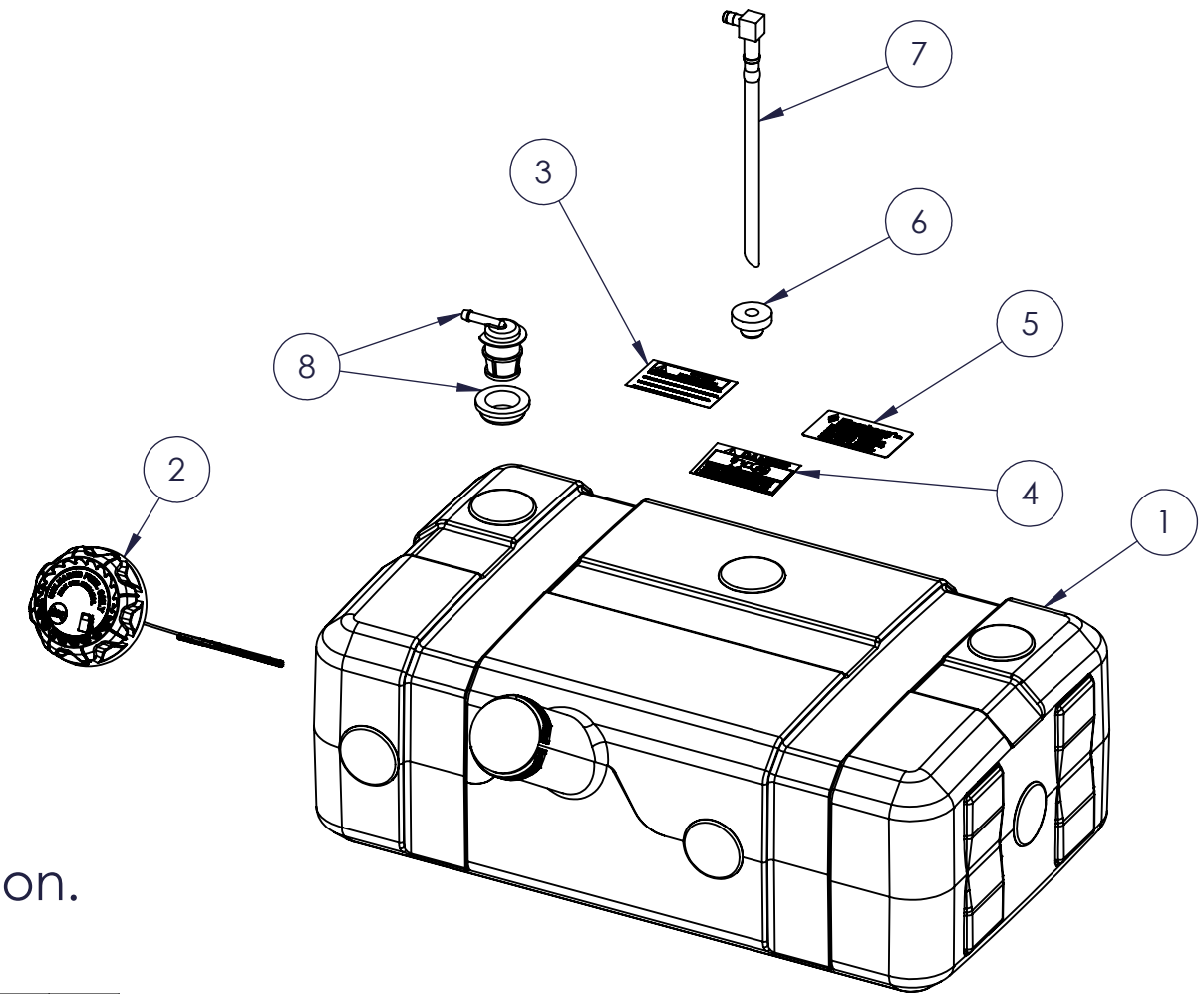


CUSTOMER SIGN-OFF	
Company	
Signature	
Printed Name	
Date	

ITEM NO.	FPN	Drawing #	Description	QTY
1	070621A-FL	070621A-FL	5 GALLON TANK, CENTER NECK, BLACK	1
2	080165AE	080165	Cap 2.25 EPA Unvented UFO-Max10Eth	1
3	468572	468572	FUEL WARNING LABEL	1
4	468573	468573	CO - Danger	1
5	477026D	477026	CARB/EPA Fuel Tank Label	1
6	468661	468661	Grommet	1
7	468871A	468871	PICKUP TUBE 5-8 GALLON LOW PROFILE	1
8	462118B	462118	1 - 4 Barb ROV (Blk) Valve w/ Grommet Kit	1
9	962712A	962712	HONDA 5 GL CARB TNK KIT - WIP	1



Notes

1. Item 9 Kit to be packed in carton.

REV	ECR	DESCRIPTION	DATE	BY	APR
C	---	Move Addtl Pack to WIP- Add Item 9 Kit 962712A	10-20-20	CRW	DB
B	---	FPN 071115BE was AE; Addtl Pack Canister 468888B was A, Hose 462453A was 468851A; Item 5 477026D was X	01-27-20	CRW	PAM
A	NPN	Released for Production	4-17-13	ANA	PSB
REVISIONS					

PROPRIETARY AND CONFIDENTIAL
 THE INFORMATION CONTAINED IN THIS DRAWING IS THE SOLE PROPERTY OF FLAMBEAU, INC. ANY REPRODUCTION IN PART OR AS A WHOLE WITHOUT THE WRITTEN PERMISSION OF FLAMBEAU, INC. IS PROHIBITED.

DIMENSIONS ARE IN INCHES.
 TOLERANCES:
 ANGULAR: ±3°
 TWO PLACE DECIMAL ±.125"
 THREE PLACE DECIMAL ±.060"
 DIMENSIONS IN PARENTHESIS () ARE FOR REFERENCE ONLY.

SHT 1	FLAMBEAU, INC. 911 LYNN AVENUE BARABOO, WI 53913 PH. (608)356-5551		
	Scale: 1:8	BFI No: NA	Drawn By: ANA Date: 4-15-13
OF 1	Mold No: 5337	Mat'l: NA	FPN: 071115BE
	Description: 5 Gallon LP CARB Fuel Tank Assembly Kit		
Customer: Honda Corp Distributors			Dwg No: 071115