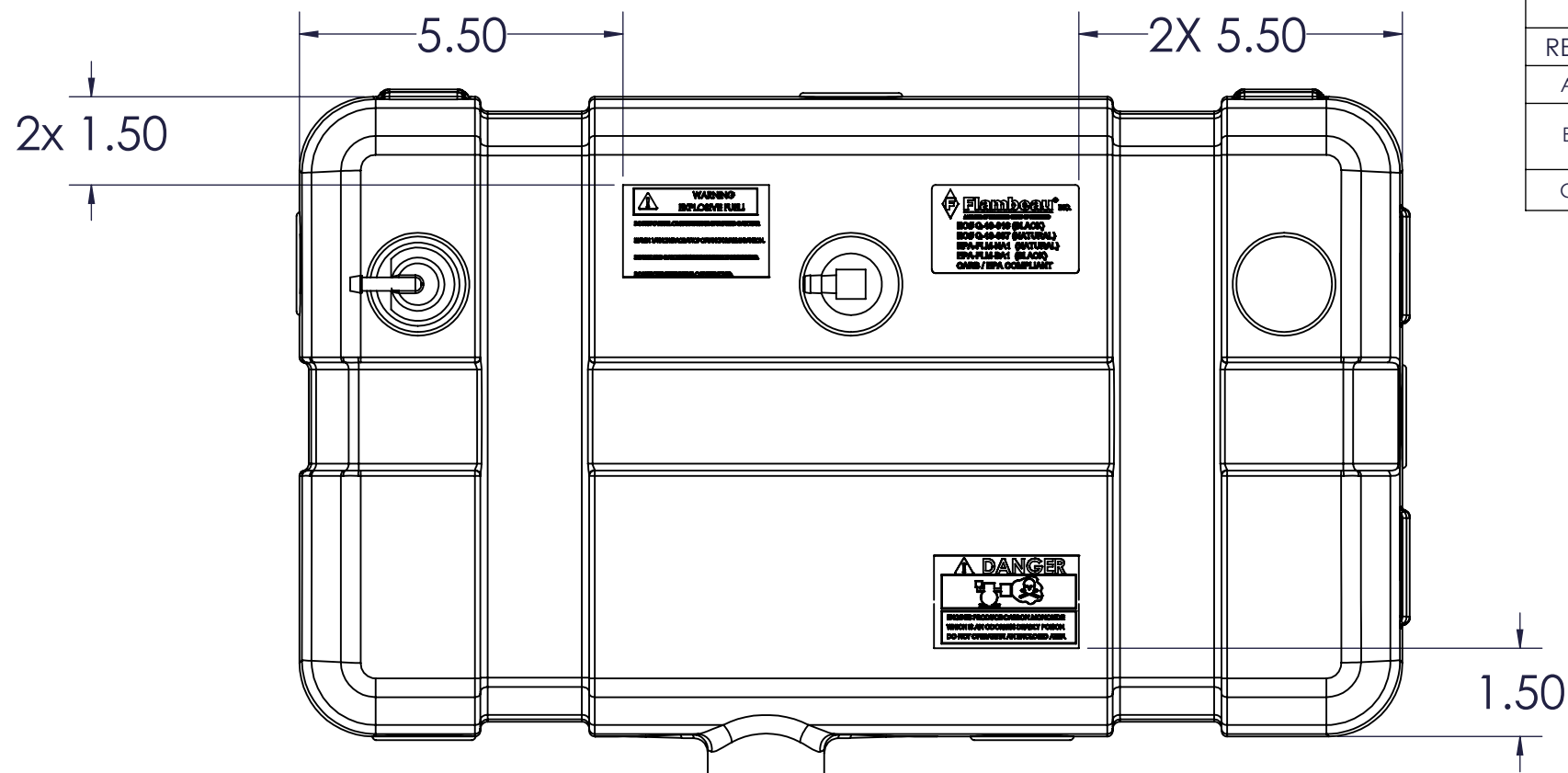


4

3

2

1



REVISIONS					
REV	ECR	DESCRIPTION	DATE	BY	APR
A	NPN	RELEASED FOR PRODUCTION	5-14-15	ANA	SAB
B	---	Reformat drawing; FPN 071487BE was AE; Item 8 Label 477026D was X; Addtl Pack Canister 468888B was A, Hose 462453A was 468851A	03-10-20	CRW	PAM
C	---	Move Addtl Pack to WIP- Add Item 9 Kit 962678A	08-25-20	CRW	DB

D

D

C

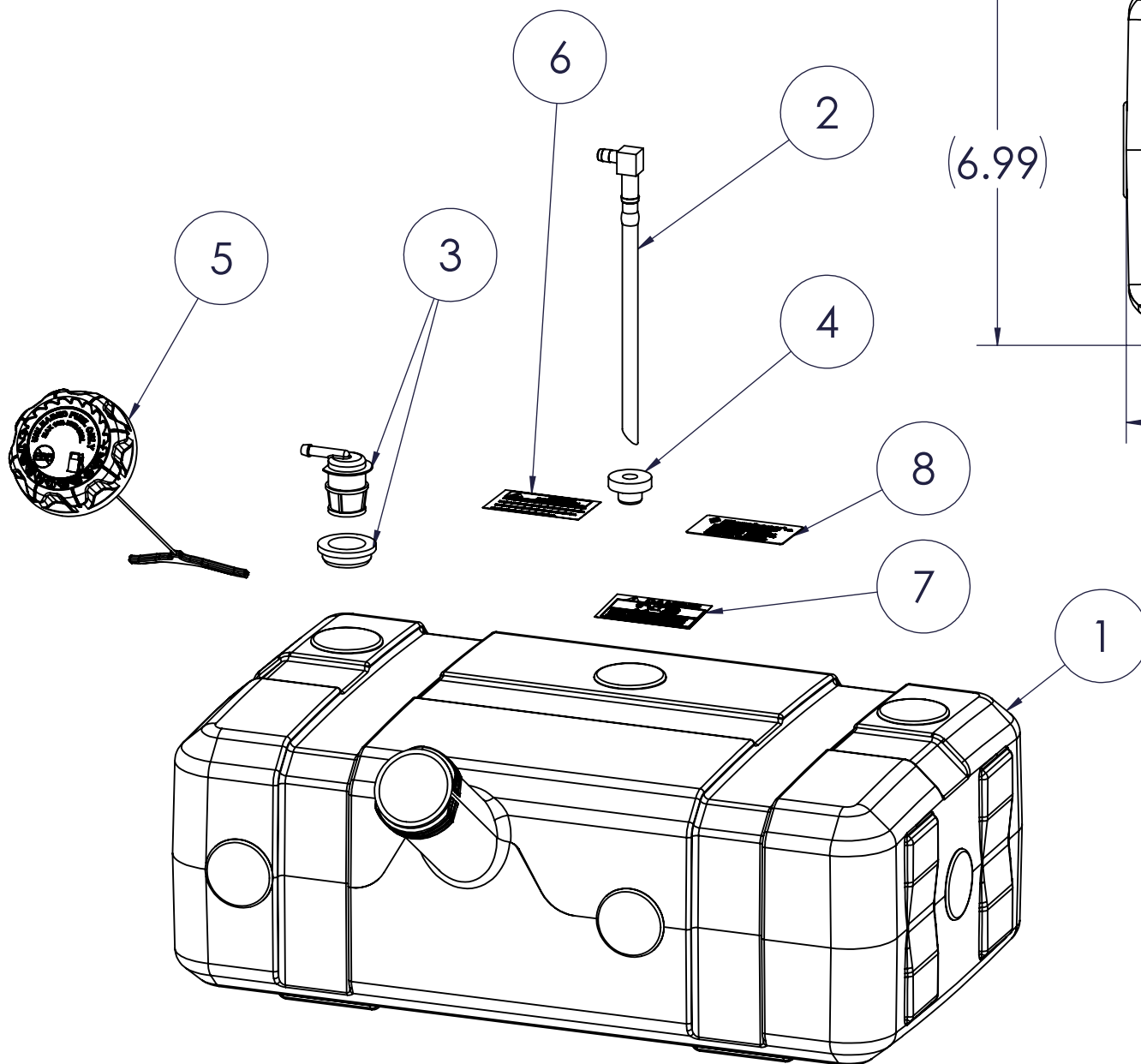
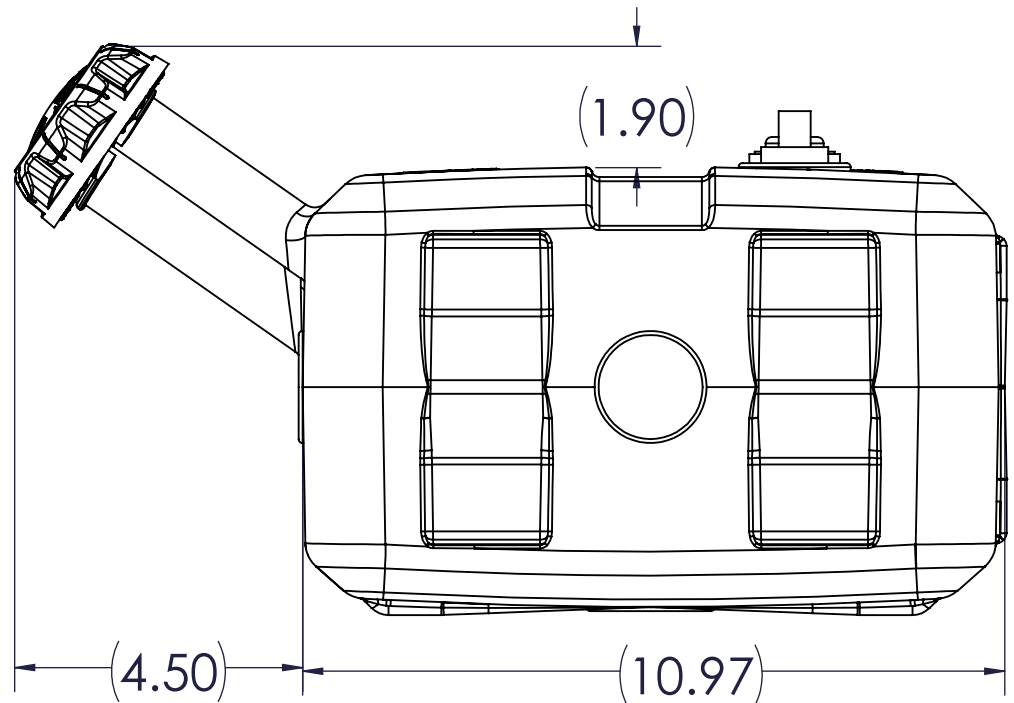
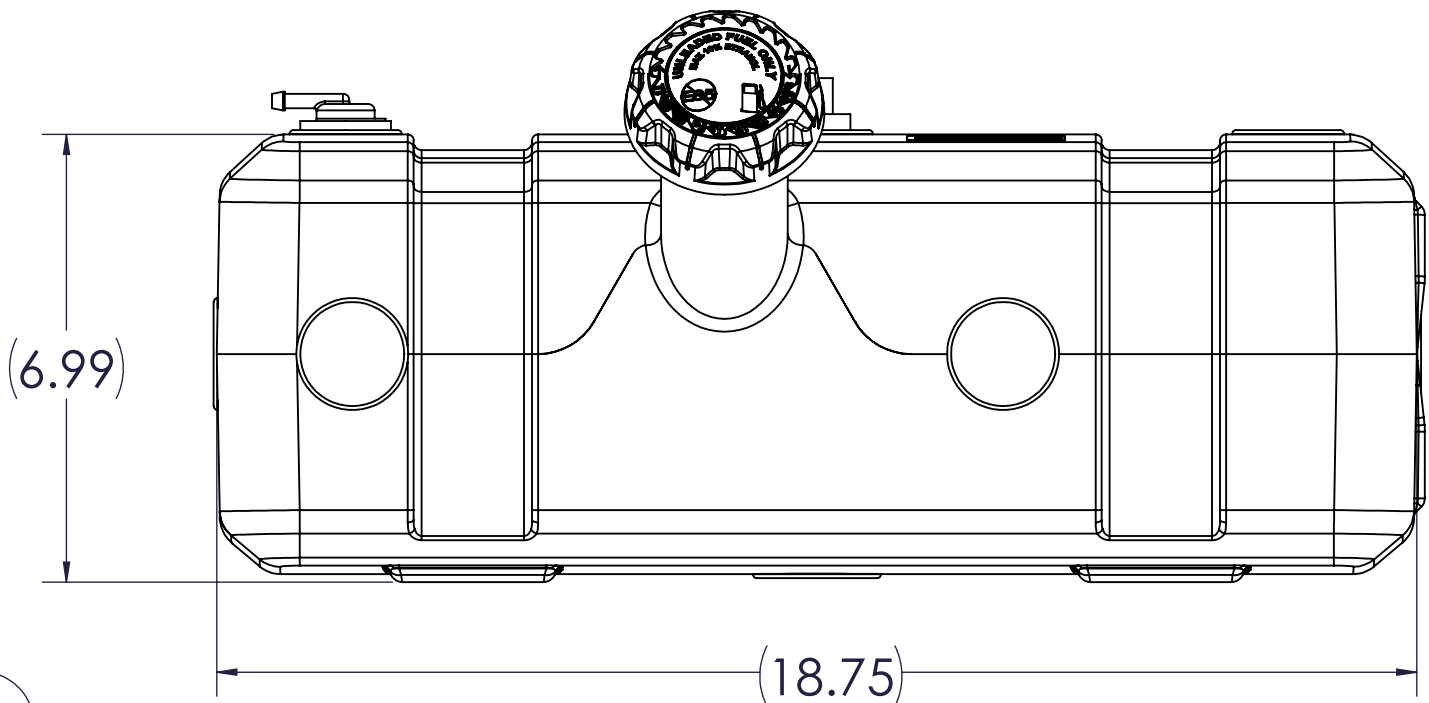
C

B

B

A

A



Notes
 1. Item 9 Kit to be packed in carton.

9	962678A	962678	Lightbourn 5 GAL CARB TNK KIT-WIP	1
8	477026D	477026	CARB/EPA Fuel Tank Label	1
7	468573	468573	CO - Danger	1
6	468572	468572	FUEL WARNING LABEL	1
5	080165AE	080165	Cap 2.25 EPA Unvented UFO-Max10Eth	1
4	468661	468661	Grommet	1
3	462118B	462118	1 - 4 Barb ROV (Blk) Valve w/ Grommet Kit	1
2	468871A	468871	PICKUP TUBE 5-8 GALLON LOW PROFILE	1
1	070622A-FL	070622	5 Gallon Tank, Low Profile, Center Neck	1
ITEM	FPN	DWG #	DESCRIPTION	QTY

CUSTOMER SIGN-OFF

COMPANY: _____

SIGNATURE: _____

PRINTED NAME: _____

DATE: _____

PROPRIETARY AND CONFIDENTIAL
 THE INFORMATION CONTAINED IN THIS DRAWING IS THE SOLE PROPERTY OF FLAMBEAU, INC. ANY REPRODUCTION IN PART OR AS A WHOLE WITHOUT THE WRITTEN PERMISSION OF FLAMBEAU, INC. IS PROHIBITED.

DIMENSIONS ARE IN INCHES.
 TOLERANCES
 ANGULAR ±.3°
 X.XX ±.13"
 X.XXX ±.060"
 DIMENSIONS IN PARENTHESIS () ARE FOR REFERENCE ONLY.

SHT 1 OF 1
 Scale: 1:3
 Rev C

FLAMBEAU, INC.
 911 LYNN AVENUE BARABOO, WI 53913 PH.(608)356-5551
 Drawn By: ANA
 Drawn Date: 5-14-15
 Base Tank Mold No: 5337
 FPN: 071487BE

Description:
5 GALLON LP CARB FUEL TANK ASSEMBLY KIT

Customer: **Lightbourn Equipment** Dwg No: **071487**

4

3

2

1