

4

3

2

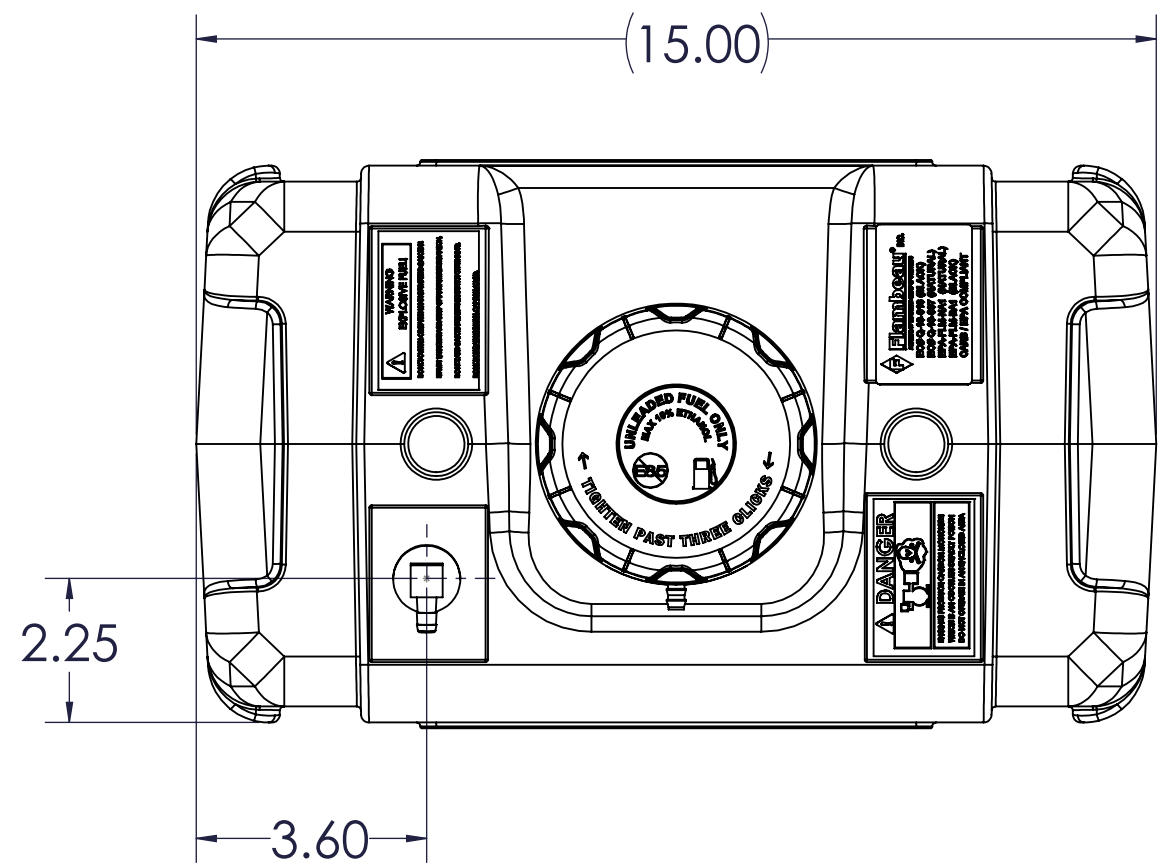
1

REVISIONS					
REV	ECR	DESCRIPTION	DATE	BY	APR
A	NPN	RELEASED FOR PRODUCTION	8-13-15	ANA	PAM
B	---	Reformat drawing; FPN 071517BE was AE; Mold 6862 was 4333, Item 8 Label 477026D was X; Addtl Pack Canister 468888B was A, Hose 462453A was 468851A	02-24-20	CRW	PAM

468888B	Carbon Canister, 400 cc, 1/4" tank, 11mm purge	1
912612A	Canister Bracket	2
468857A	Canister Strap	2
462453A	FL. 1/4" ID 389 SERIES FUEL HOSE	5 ft
468894A	11mm Low Perm Fuel Hose	4 ft
468898A	Hose Clamp	2
468850A	Hose Clamp	4
468975A	Tank Brackets	2
FPN	Description	QTY
Additional items to be packed in carton		

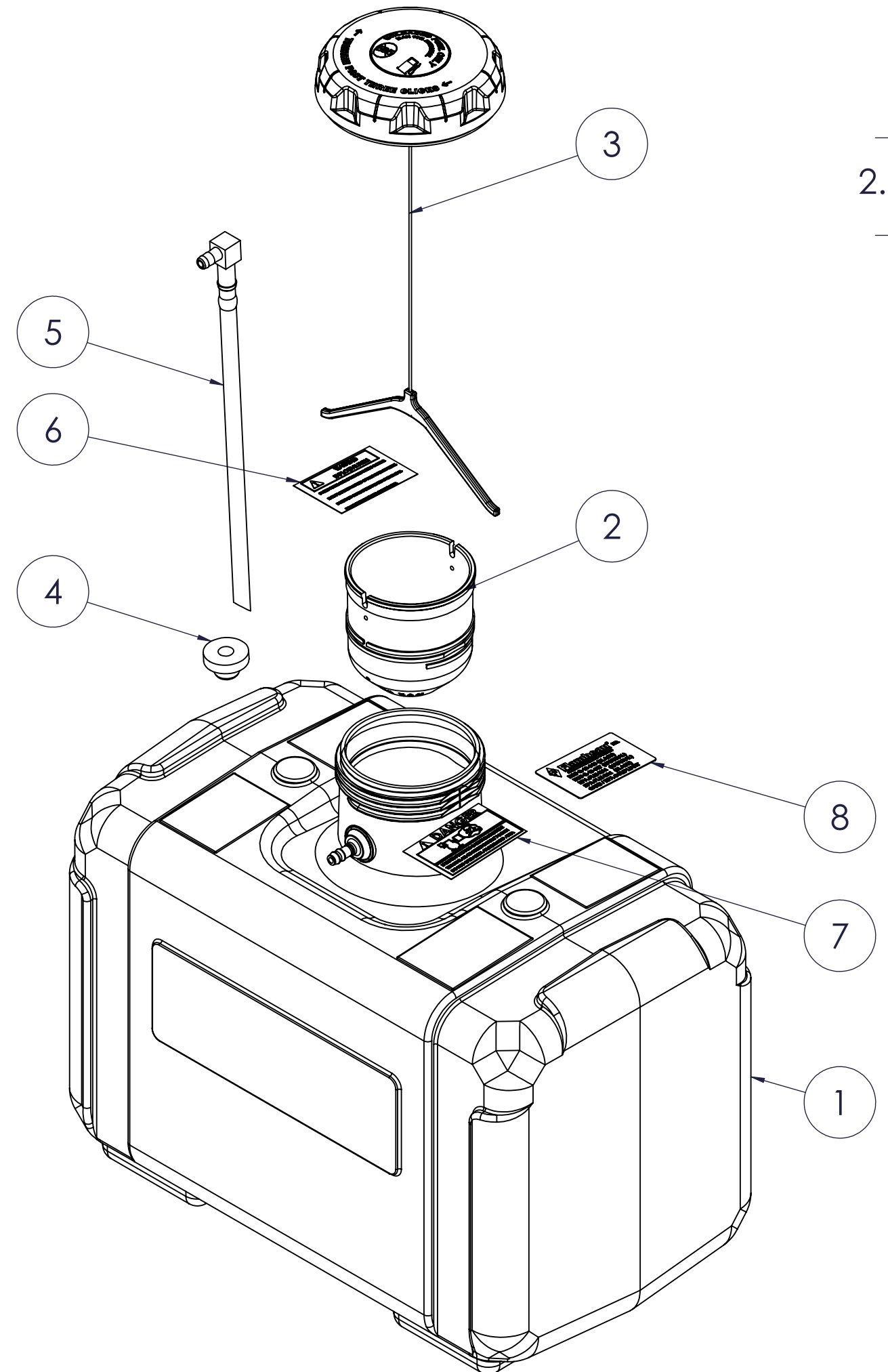
D

D



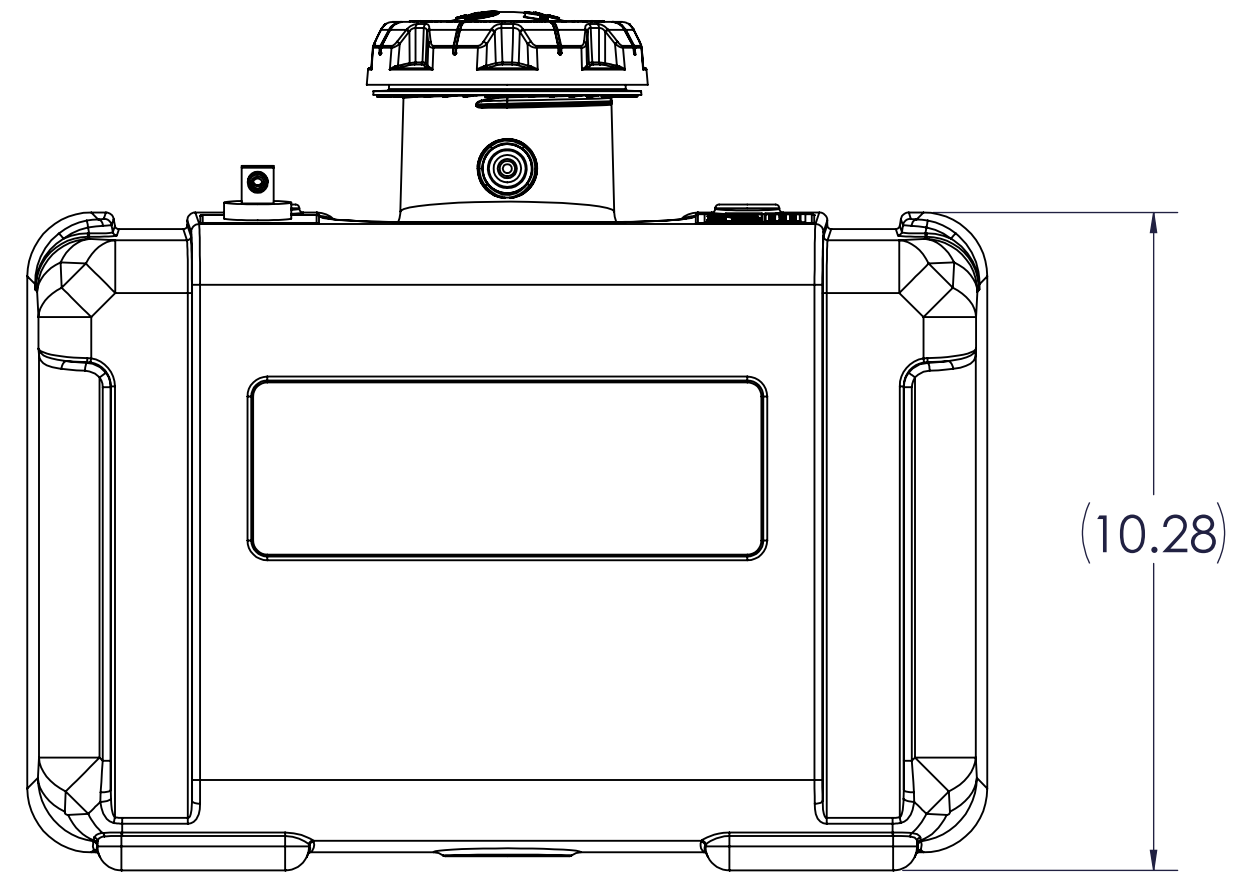
C

C



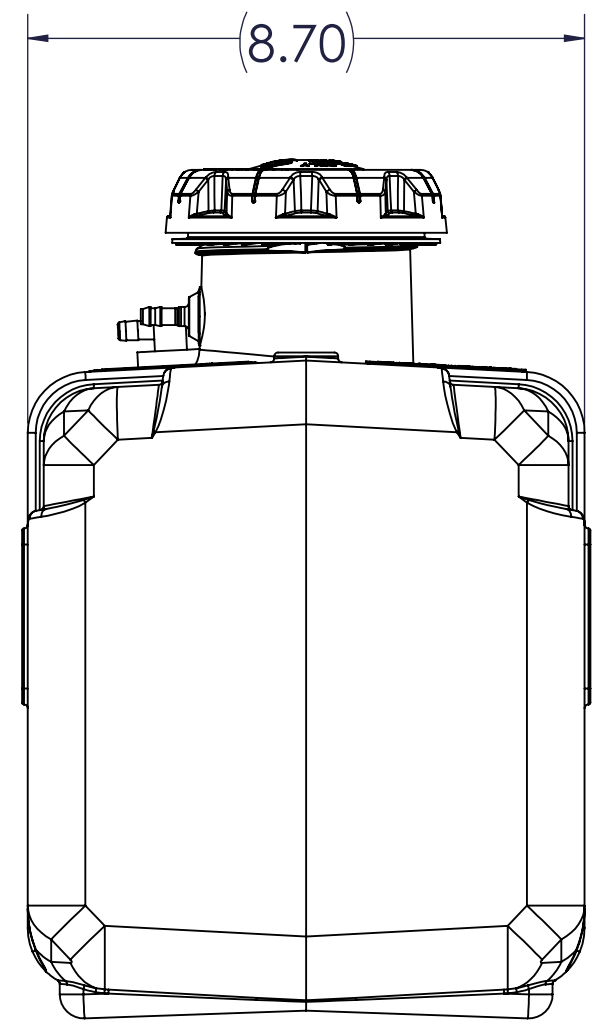
B

B



A

A



8	477026D	477026	CARB/EPA Fuel Tank Label	1
7	468573	468573	CO - Danger	1
6	468572	468572	FUEL WARNING LABEL	1
5	468907A	468907	PICKUP TUBE 1/4" x 10.25, 90°	1
4	468661	468661	Grommet	1
3	080167AE	080167	3.50" EPA NON-VT CAP PRT UFO WHT 8" T	1
2	961112A	961112	3.50" Drop Tube	1
1	070361B-FL	S-10970	5 Gallon CARB Tank 3.5 Neck 0.25 Fitting PE Natural Fluorinated	1
ITEM	FPN	DWG #	DESCRIPTION	QTY

CUSTOMER SIGN-OFF

COMPANY: _____

SIGNATURE: _____

PRINTED NAME: _____

DATE: _____

FLAMBEAU, INC.
911 LYNN AVENUE BARABOO, WI 53913 PH.(608)356-5551

Drawn By: ANA
Drawn Date: 8-12-15
Base Tank Mold No: 6862 5 Gal
FPN: 071517BE

Description:
5 Gallon CARB Fuel Tank Assembly Kit

Customer: **Lightbourn Equipment** Dwg No: **071517**

SHT 1 OF 1
Scale: 1:3
Rev B

PROPRIETARY AND CONFIDENTIAL
THE INFORMATION CONTAINED IN THIS DRAWING IS THE SOLE PROPERTY OF FLAMBEAU, INC. ANY REPRODUCTION IN PART OR AS A WHOLE WITHOUT THE WRITTEN PERMISSION OF FLAMBEAU, INC. IS PROHIBITED.

DIMENSIONS ARE IN INCHES.
TOLERANCES
ANGULAR ±3°
X.XX ±.13"
X.XXX ±.060"
DIMENSIONS IN PARENTHESIS () ARE FOR REFERENCE ONLY.

4

3

2

1